

HK955070FB
36" Ceramic Electric Cooktop

AEG

HK955070FB

36" Ceramic Electric Cooktop



COOKTOP PERFORMANCE

5 Hi-Lite Zones

- 2 x 180mm Single Zone: 1800 Watts
- 1 x 145mm Single Zone: 1200 Watts
- 1 x Oval Expandable Zone
 - 1 x 170mm Single Zone: 1400 Watts
 - 1 x 265mm Expanded Zone: 2200 Watts
- 1 x Triple Expanded Zone:
 - 1 x 145mm Single Zone: 1050 Watts
 - 1 x 210mm Expanded Single Zone: 1950 Watts
 - 1 x 270mm Expanded Single Zone: 2700 Watts

COOKTOP FEATURES

- 36" (90cm) Ceramic electric cooktop with beveled edge
- DirekTouch™ slide design touch controls
- 5 Hi-Lite zones with 15 power levels
- LED display indicating power level
- 2" deep for easy installation
- OptiFit® cooktop with extendable cooking zone
- Adjustable timer – max 99 mins
- Stop+Go function
- Child safety lock
- Residual heat indicator

COOKTOP DIMENSIONS

- D: 20^{5/16}" x W: 35^{1/4}"
- D: 516mm x W: 896mm

CUT-OUT DIMENSIONS

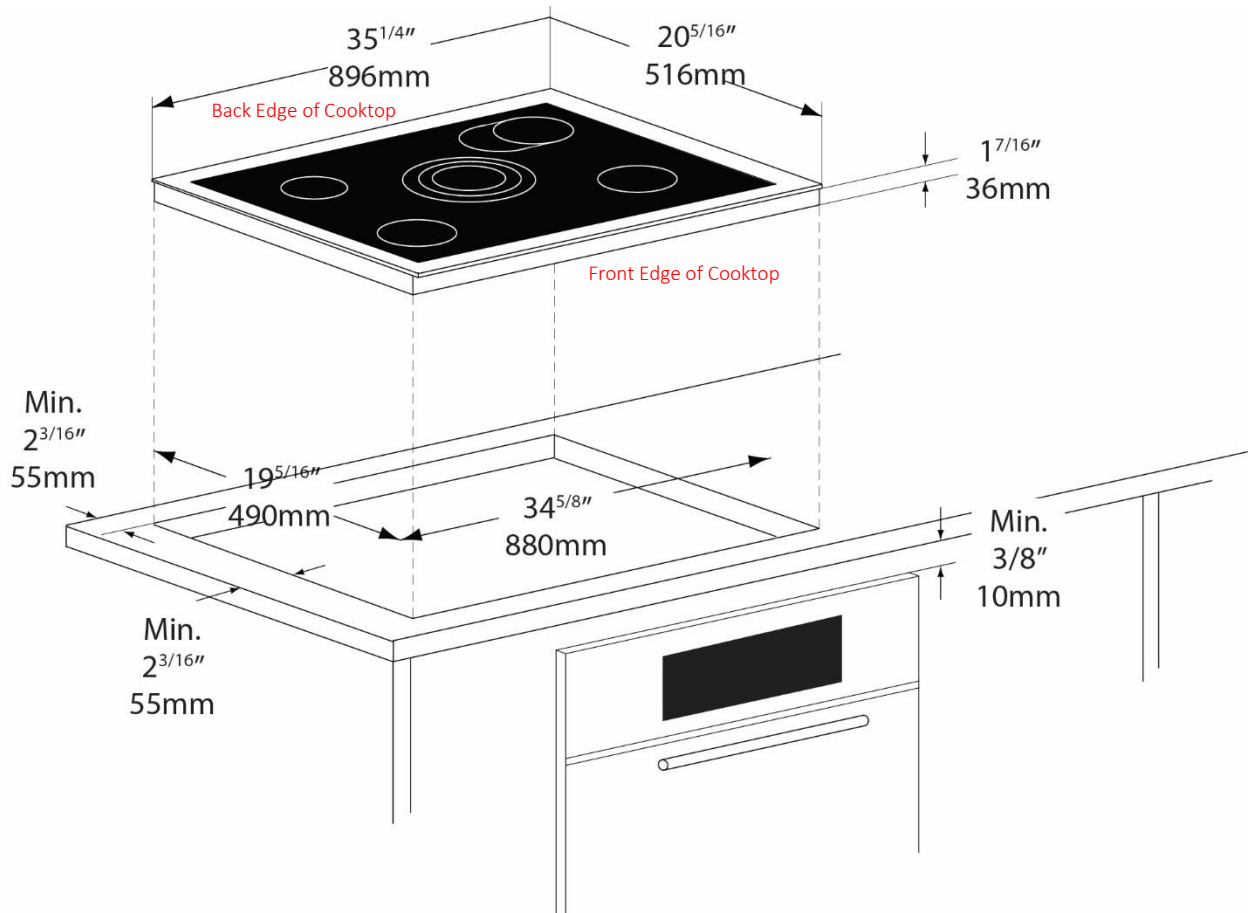
- D: 19^{5/16}" x W: 34^{5/8}"
- D: 490mm x W: 880mm

ELECTRICAL REQUIREMENTS

- 208 / 230 Volt, 60Hz, 50 AMP, 9700W
- AEG Cooktops are supplied with a 5' long electrical cable and must be hard wired to the electrical supply.

Specifications

HK955070FB



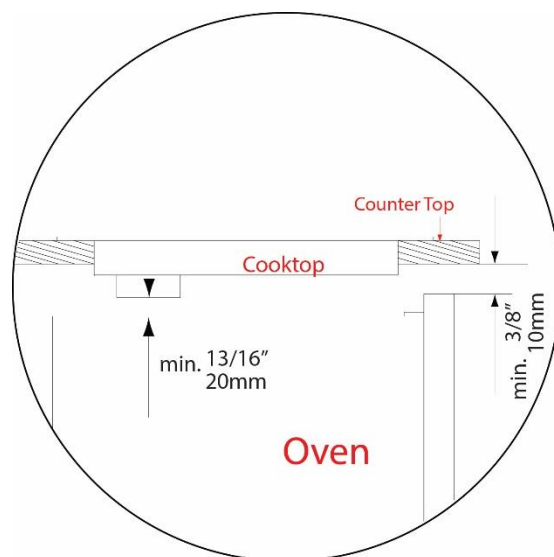
Specifications

HK955070FB

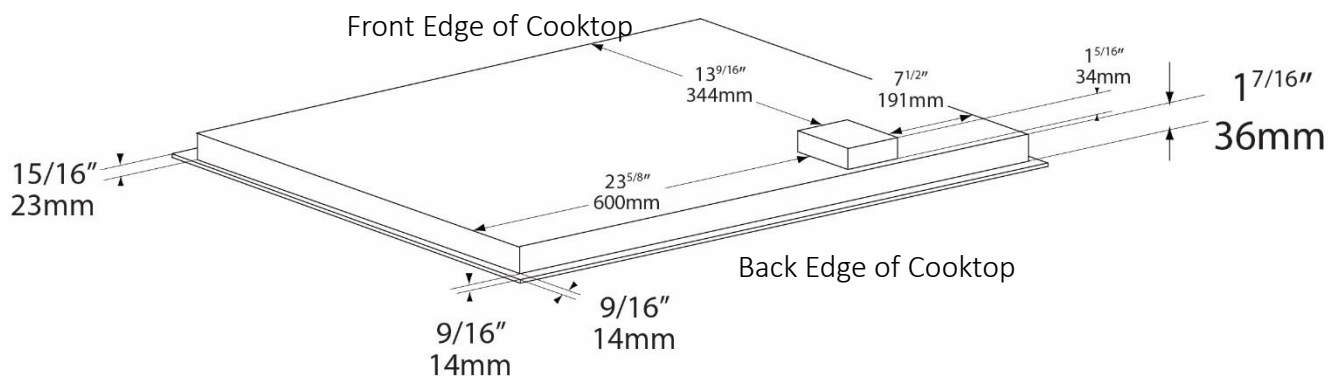
INSTALLING OVER BUILT-IN OVEN

- There must be a minimum of 20mm (13/16") of space left between the bottom of the cooktop and the oven to allow air to flow.
- There must be a minimum of 5mm (3/16") of space left between the counter top and the door panel of a built-in oven / drawer.
- If sufficient air flow is not provided, the life of the appliance will be shortened.

SIDE VIEW



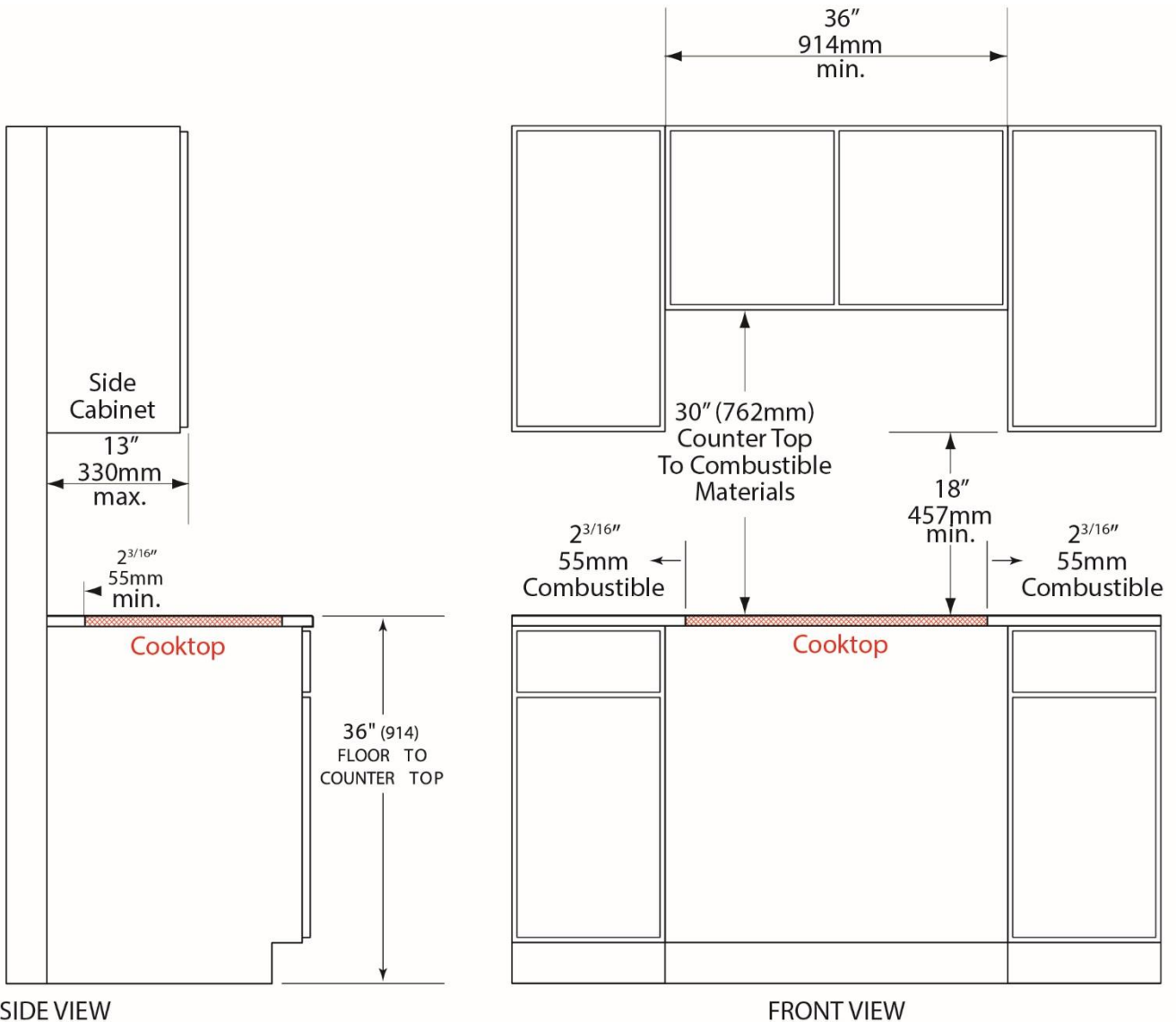
UNDERSIDE VIEW



Specifications

HK955070FB

RECOMMENDED CABINET MINIMUM CLEARANCE



* Minimum clearance from cooktop cut-out to combustible materials up to 18" (457mm) above countertop

AEG

AEG Appliances are designed and manufactured to the highest standards. Each appliance is covered by a comprehensive 2-year parts and labour warranty.

Refer to product warranty policy for complete terms and conditions.

FOR PARTS AND SERVICE

Euro-Parts & Service

39822 Belgrave Road, Belgrave, ON. N0G 1E0

1 800 678 8352 (Canada) • 1 800 561 4614 (U.S.)

www.euro-parts.ca • parts@euro-parts.ca • service@euro-parts.ca

AEG appliances are imported and distributed in North America by Euro-Line Appliances Inc. For more information, please visit one of our showrooms or

www.euro-line-appliances.com www.elawest.com

EURO-LINE APPLIANCES INC.

871 Cranberry Court
Oakville, ON L6L 6J7 Canada
905 829 3980
1 800 421 6332

marketing@euro-line-appliances.com

EURO-LINE APPLIANCES WEST INC.

101-1014 Homer Street
Vancouver, BC V6B 2W9 Canada
604 235 3980
1 855 ELA WEST (352 9378)

info@elawest.com

