

**B3007ECO**  
**30" Built-in Multi-Function Oven**

**AEG**

# B3007ECO

## 30" Built-in Multi-Function Oven



### OVEN PROGRAMS

- 30" (76cm) wide stainless steel oven
- MaxiKlasse™ 120L (4.3 cu.ft) capacity
- Side halogen light
- 9 cooking functions including True Fan convection
- ThermiC° hot air cooking technology for perfect cooking
- Heavy duty chrome racks
- Retractable control knobs
- Power ventilated glazed door panels
- Removable door and glass panes for easy cleaning
- Degree C temperature display

# Specifications (Column Installation)

## B3007ECO

### OVEN DIMENSIONS

- W: 29<sup>3</sup>/<sub>4</sub>" • D: 22<sup>3</sup>/<sub>4</sub>" • H: 24<sup>7</sup>/<sub>16</sub>"
- W: 756 mm • D: 578 mm • H: 620 mm

### CUT-OUT DIMENSIONS

- W: 28<sup>7</sup>/<sub>16</sub>" • D: 22<sup>1</sup>/<sub>4</sub>" • H: 23<sup>3</sup>/<sub>16</sub>"
- W: 723 mm • D: 565 mm • H: 614 mm

### CONDO ELECTRICAL REQUIREMENTS

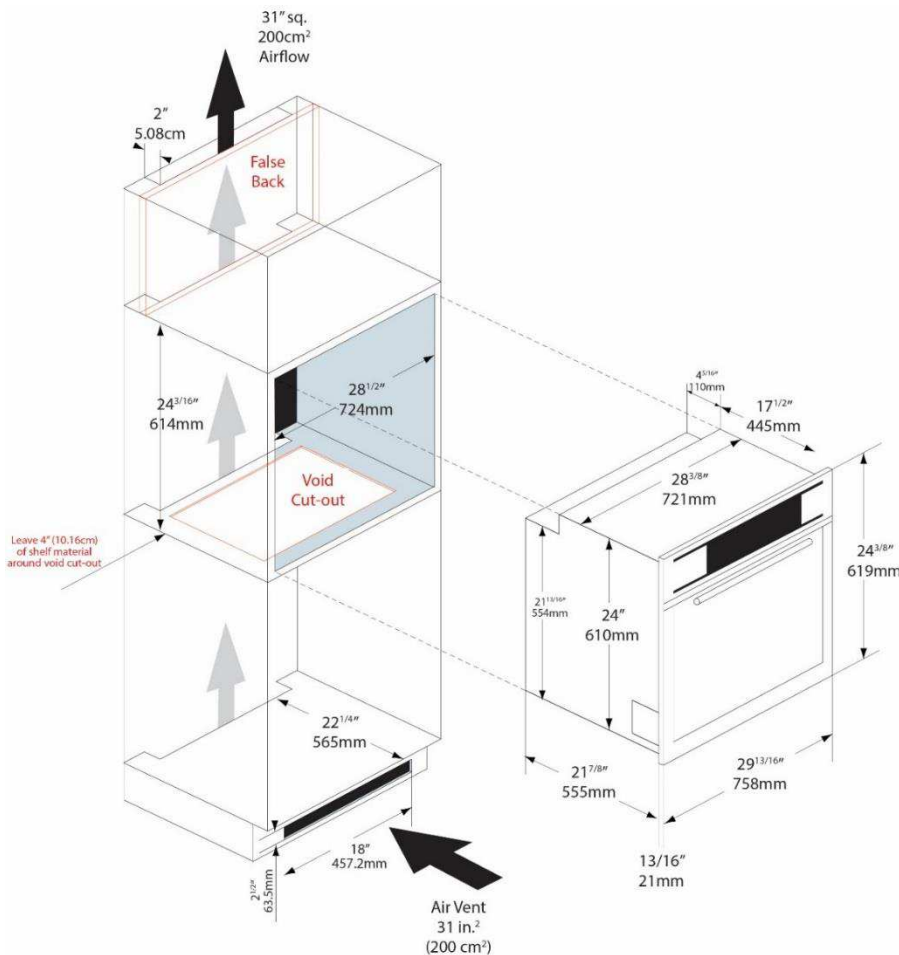
- 208 Volt, 60Hz, 3460 Watt, 20 AMP

### HOUSE ELECTRICAL REQUIREMENTS

- 240 Volt, 60Hz, 4580 Watt, 30 AMP

### \*IMPORTANT\*

- AEG ovens are supplied with a 5' long electrical cable and must be hard wired to the electrical supply
- AEG ovens uses the following wires:  
RED & BLACK: Live Wires  
GREEN: Ground  
The Neutral (White) wire is not required for the electrical installation.



### VOID CUT-OUT

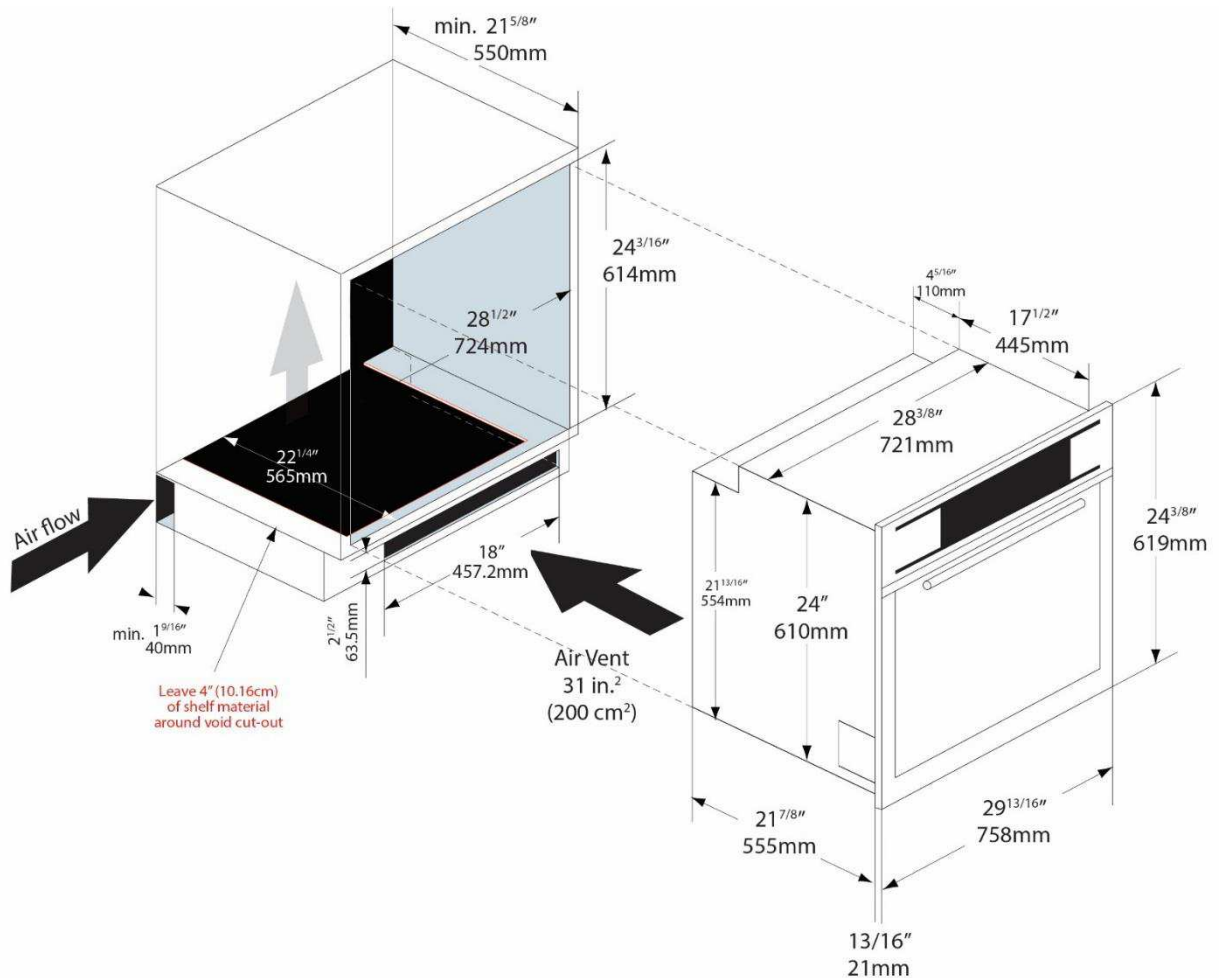
- If the oven is mounted in a tall or semi-tall cabinet, there must be a minimum gap of 19/16" (4cm) cut out of the shelf and behind the upper cabinet to allow air to flow freely
- A void must be cut-out in the shelf of the cabinet. Leave 4" of shelf material around the void.
- Additional support must be added to the shelf with the void. The support must be able to withstand the oven weight.
- If sufficient air flow is not provided, the life of the appliance will be shortened.
- Cut-out in the toe kick is required for adequate air flow.
- Bottom vent grill (7427640) available

# Specifications (Under Counter Installation)

## B3007ECO

### AIR FLOW REQUIREMENTS

- If the oven is being placed under the counter, there must be a minimum gap of  $1\frac{9}{16}$ " (4cm) cut out of the shelf behind the oven to allow air to flow freely.
- If sufficient air flow is not provided, the life of the appliance will be shortened.
- Cut-out in the toe kick is required for adequate air flow.
- Bottom vent grill (7427640) available.



# AEG

AEG Appliances are designed and manufactured to the highest standards. Each appliance is covered by a comprehensive 2-year parts and labour warranty.

Refer to product warranty policy for complete terms and conditions.

## FOR PARTS AND SERVICE

Euro-Parts & Service

39822 Belgrave Road, Belgrave, ON. N0G 1E0

1 800 678 8352 (Canada) • 1 800 561 4614 (U.S.)

[www.euro-parts.ca](http://www.euro-parts.ca) • [parts@euro-parts.ca](mailto:parts@euro-parts.ca) • [service@euro-parts.ca](mailto:service@euro-parts.ca)

AEG appliances are imported and distributed in North America by Euro-Line Appliances Inc. For more information, please visit one of our showrooms or

[www.euro-line-appliances.com](http://www.euro-line-appliances.com)   [www.elawest.com](http://www.elawest.com)

## ***EURO-LINE APPLIANCES INC.***

871 Cranberry Court  
Oakville, ON L6L 6J7 Canada  
905 829 3980  
1 800 421 6332

[marketing@euro-line-appliances.com](mailto:marketing@euro-line-appliances.com)

## ***EURO-LINE APPLIANCES WEST INC.***

2912 West 4th Avenue  
Vancouver, BC V6K 1R2 Canada  
604 235 3980  
1 855 ELA WEST (352.9378)

[info@elawest.com](mailto:info@elawest.com)

