

75040GM-M-F  
30" Gas Cooktop

**AEG**

# 75040GM-M-F

## 30" Gas Cooktop



### COOKTOP FEATURES

- 30" (76cm) 5 burner gas cooktop
- Continuous cast iron support grates
- Electronic ignition with flame failure safety
- Ergonomically placed control knobs
- 2.5" deep allows for drawer or oven install under cooktop

### COOKTOP PERFORMANCE

- 5 high quality burners
  - 1 x WOK burner: 17,500 BTU
  - 1 x Rapid burner: 11,500 BTU
  - 2 x Semi-rapid burners: 8,000 BTU
  - 1 x Simmer burner: 3,000 BTU down to 600 BTU

### COOKTOP DIMENSIONS

- D: 20<sup>1/16</sup>" x W: 29<sup>3/8</sup>"
- D: 509mm x W: 746mm

### CUT-OUT DIMENSIONS

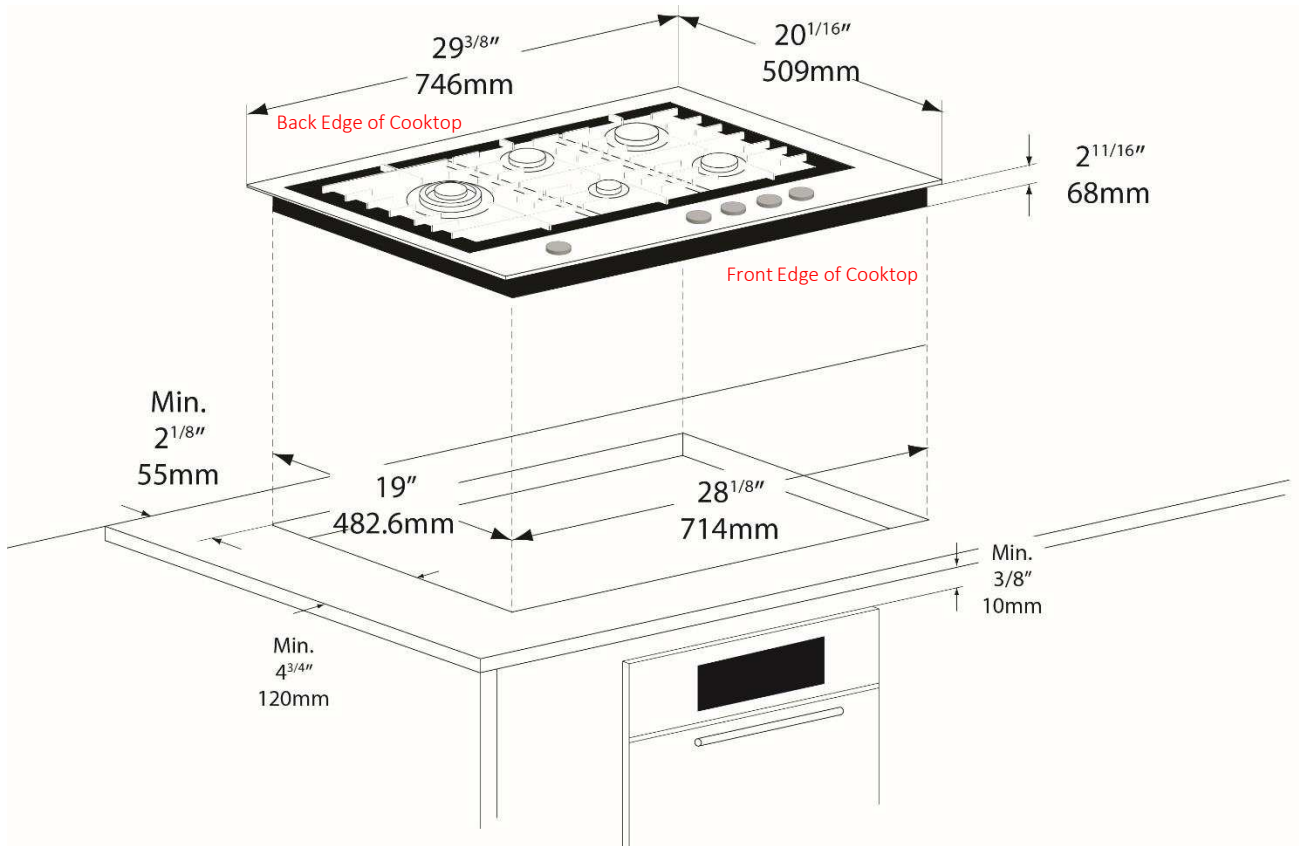
- D: 19" x W: 28<sup>1/8</sup>"
- D: 482.6mm x W: 714mm

### ELCTRICAL REQUIREMENTS

- 115 Volt, 60Hz, 15 AMP

# Specifications

## 75040GM-M-F

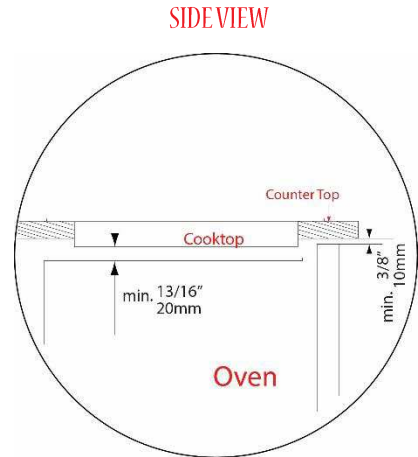


# Specifications

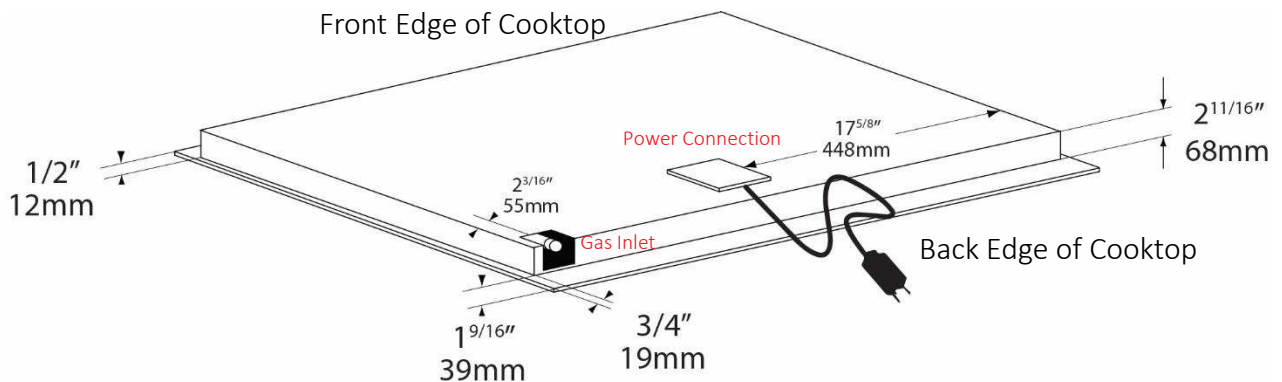
75040GM-M-F

## INSTALLING OVER BUILT-IN OVEN

- There must be a minimum of 20mm (13/16") of space left between the bottom of the cooktop and the oven to allow air to flow.
- There must be a minimum of 5mm (3/16") of space left between the counter top and the door panel of a built-in oven / drawer.
- If sufficient air flow is not provided, the life of the appliance will be shortened.



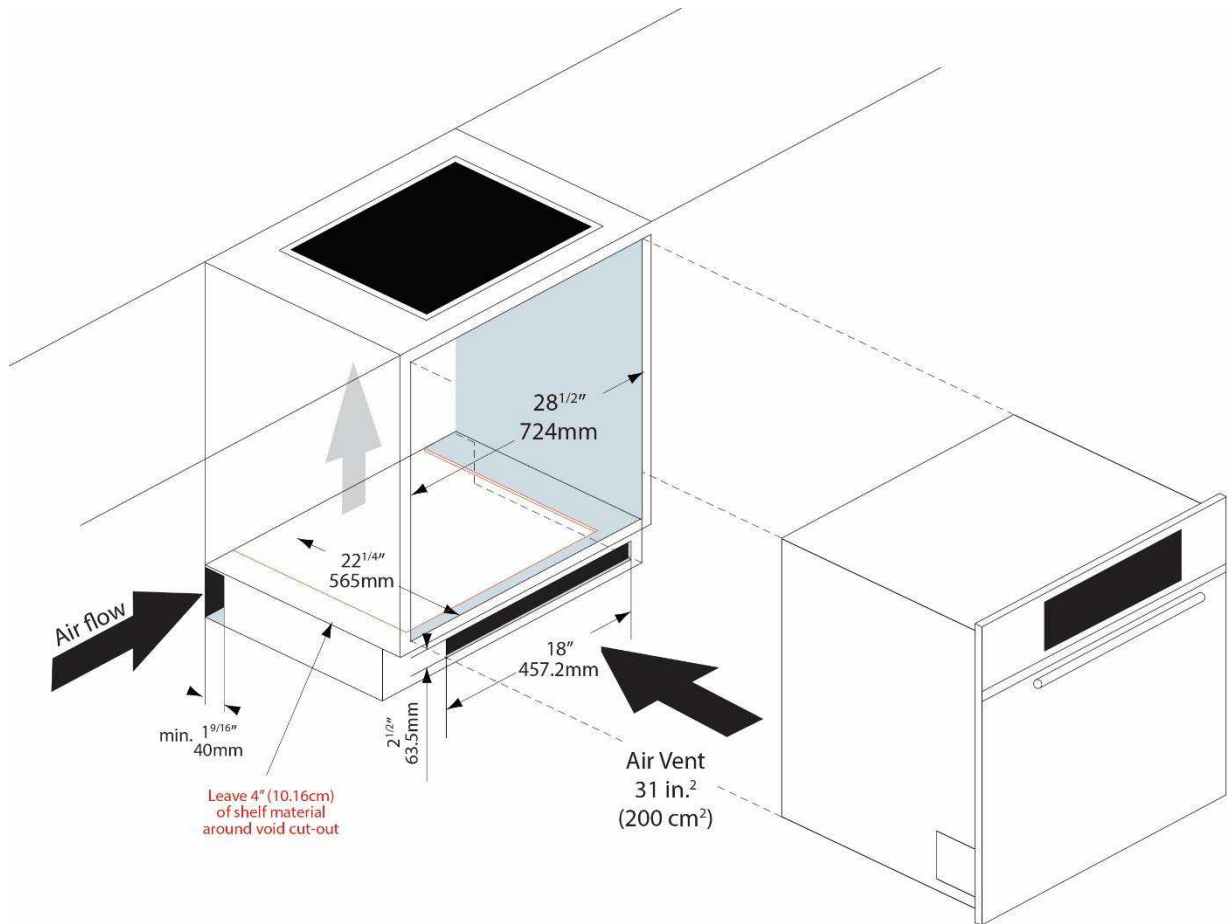
## UNDERSIDE VIEW



# Specifications

## 75040GM-M-F

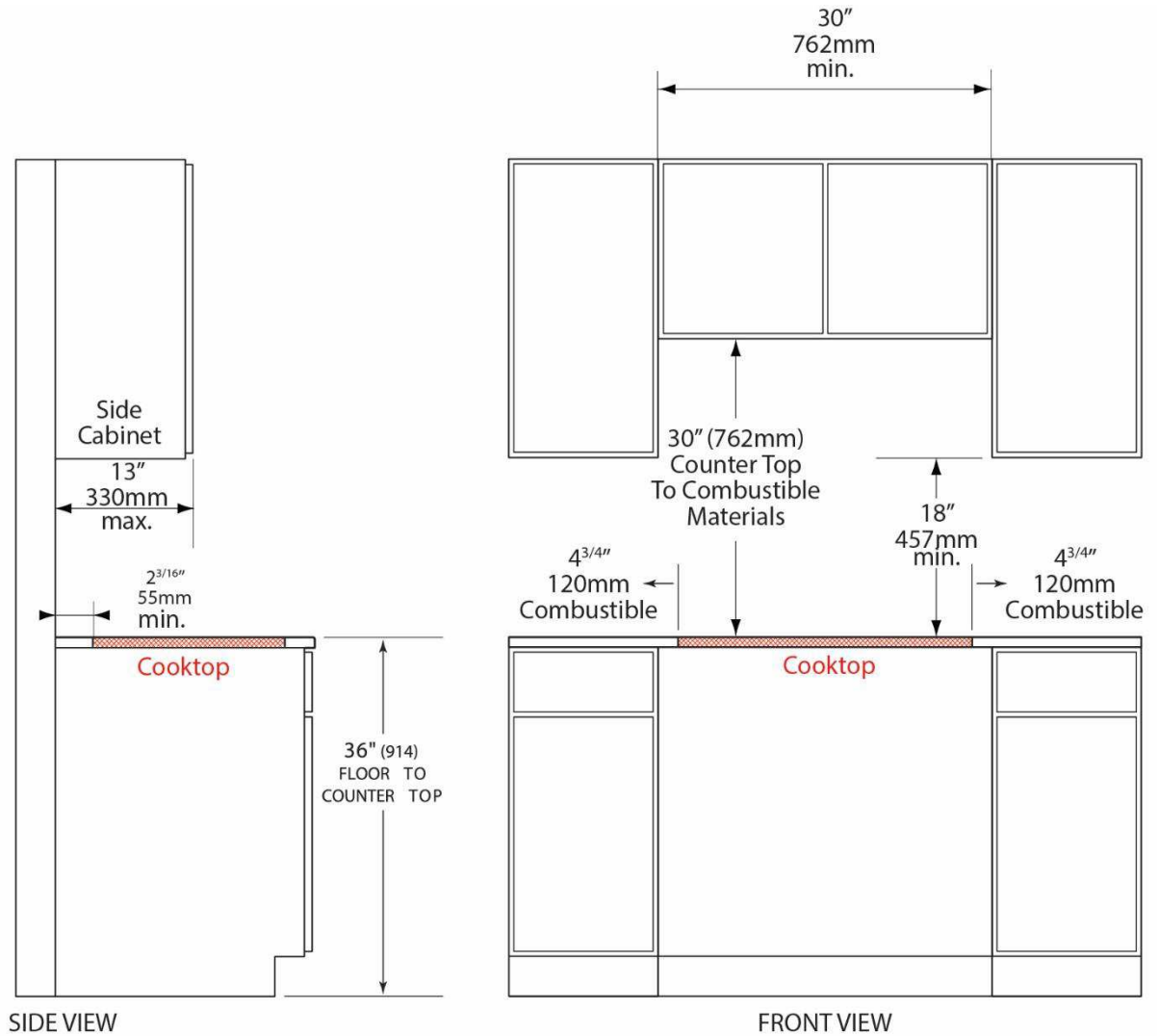
### RECOMMENDED CABINET DESIGN



# Specifications

## 75040GM-M-F

### RECOMMENDED CABINET MINIMUM CLEARANCE



# AEG

AEG Appliances are designed and manufactured to the highest standards. Each appliance is covered by a comprehensive 2-year parts and labour warranty.

Refer to product warranty policy for complete terms and conditions.

## FOR PARTS AND SERVICE

Euro-Parts & Service

39822 Belgrave Road, Belgrave, ON. N0G 1E0

1 800 678 8352 (Canada) • 1 800 561 4614 (U.S.)

[www.euro-parts.ca](http://www.euro-parts.ca) • [parts@euro-parts.ca](mailto:parts@euro-parts.ca) • [service@euro-parts.ca](mailto:service@euro-parts.ca)

AEG appliances are imported and distributed in North America by Euro-Line Appliances Inc. For more information, please visit one of our showrooms or

[www.euro-line-appliances.com](http://www.euro-line-appliances.com)   [www.elawest.com](http://www.elawest.com)

### ***EURO-LINE APPLIANCES INC.***

871 Cranberry Court  
Oakville, ON L6L 6J7 Canada  
905 829 3980  
1 800 421 6332

[marketing@euro-line-appliances.com](mailto:marketing@euro-line-appliances.com)

### ***EURO-LINE APPLIANCES WEST INC.***

2912 West 4th Avenue  
Vancouver, BC V6K 1R2 Canada  
604 235 3980  
1 855 ELA WEST (352.9378)

[info@elawest.com](mailto:info@elawest.com)

