

2-Piece Glass Trim Kit



Available Finishes/Colors



OVERVIEW

Create a finished look for your compact ovens that are placed within a cabinet opening. This easy-to-install trim kit features a smooth clean finish that instantly gives your kitchen a modern makeover.

FEATURES

Two Piece black glass trim kit designed to accommodate 24" built-in appliances into a 30" appliance column

Provides an integrated look for added style in your kitchen

Offers a stylish appearance with a stainless steel finish

Designed to accommodate 24" built-in appliances into a 30" appliance column

Works well in an appliance tower over a built-in oven, or under-counter

TECHNICAL DETAILS

Product Dimensions In/mm (W/H/D)

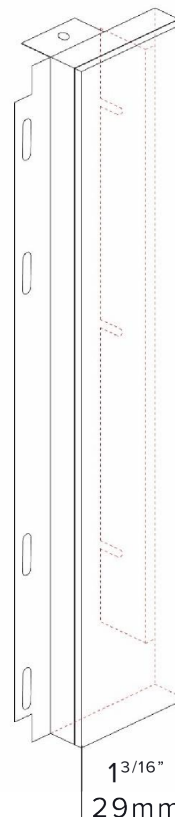
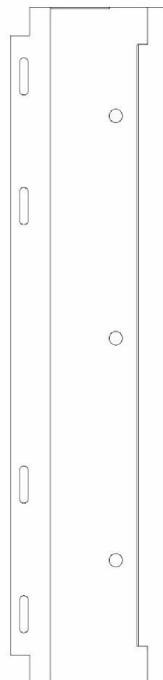
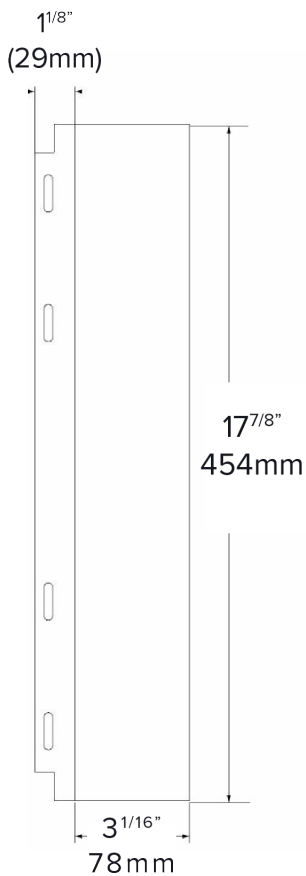
1³/₁₆" / 17⁷/₈" / 4³/₁₆"

29mm / 454mm / 107mm

Cut-Out Dimensions In/mm (W/H)

30" / 17³/₄"

762mm / 450mm



Installation Details

PRODUCT DIMENSIONS (INCH/MM)

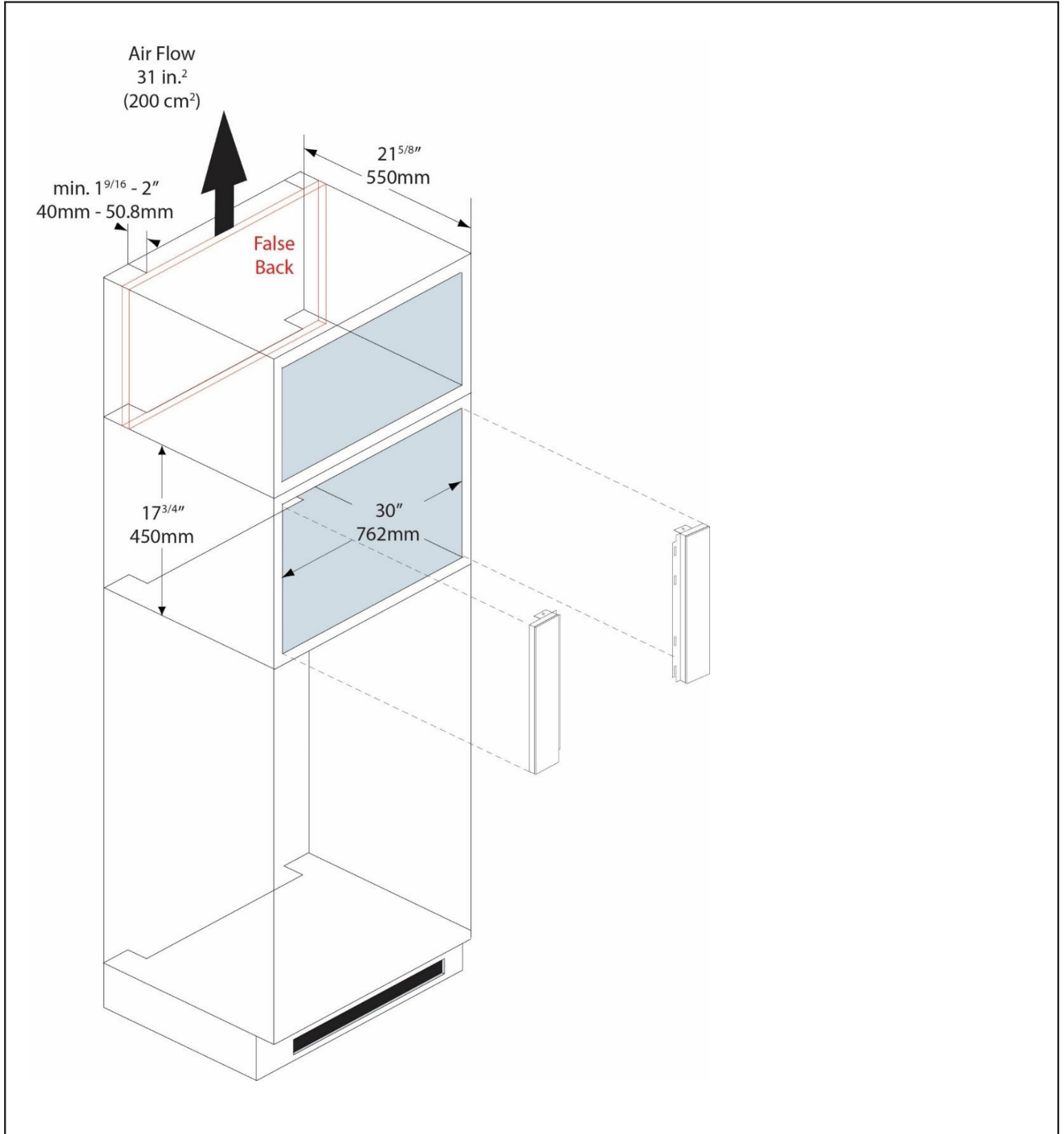
Width: 1³/₁₆" / Height: 17⁷/₈" / Depth: 4³/₁₆"

Width: 29mm / Height: 454mm / Depth: 107mm

CUT-OUT DIMENSIONS (INCH/MM)

Width: 30" / Height: 17³/₄"

Width: 762mm / Height: 450mm



AEG

WARRANTY INFORMATION

AEG Appliances are designed and manufactured to the highest standards. Each appliance is covered by a comprehensive 2-year parts and labour warranty. Refer to product warranty policy for complete terms and conditions.

FOR PARTS & SERVICE

Euro-Parts & Service

39822 Belgrave Road, Belgrave, ON. N0G 1E0 1 866 722 2262

www.euro-parts.ca • parts@euro-parts.ca • service@euro-parts.ca

AEG appliances are imported and distributed in North America by Euro-Line Appliances Inc. For more information, please visit one of our showrooms or www.ela.ca / www.elawest.ca

EURO-LINE APPLIANCES INC.

871 Cranberry Court
Oakville, ON L6L 6J7 Canada
905.829.3980
1-800.421.6332
info@ela.ca

EURO-LINE APPLIANCES INC.

101-1014 Homer Street
Vancouver, BC V6B 2W9 Canada
604.235.3980
1-855.352.9378
infowest@ela.ca