

## 30" Fully Integrated Stainless Steel Trim Kit (1-Piece)



### Available Finishes/Colors

- MWTK76  
Stainless Steel

### OVERVIEW

Create a finished look for your microwaves that are placed within a cabinet opening. This easy-to-install trim kit features a smooth clean finish that instantly gives your kitchen a modern makeover.

### FEATURES

One piece stainless steel trim kit to fit a 30" (76cm) cabinet opening

Provides an integrated look for added style in your kitchen

Offers a stylish appearance with a stainless steel finish

Compatible with Panasonic 1.6 cu.ft. Microwaves (models: Panasonic NNSD78LS, NNSD786S or equivalent)

Works well in an appliance tower over a built-in oven, or under-counter

### TECHNICAL DETAILS

#### Product Dimensions In/mm (W/H)

29<sup>13/16"</sup> / 15<sup>1/16"</sup>

758mm / 383mm

#### Cut-Out Dimensions In/mm (W/H)

28<sup>1/2"</sup> / 14<sup>5/16"</sup>

524mm / 363mm

## Installation Details

### PRODUCT DIMENSIONS (WxH - IN/MM)

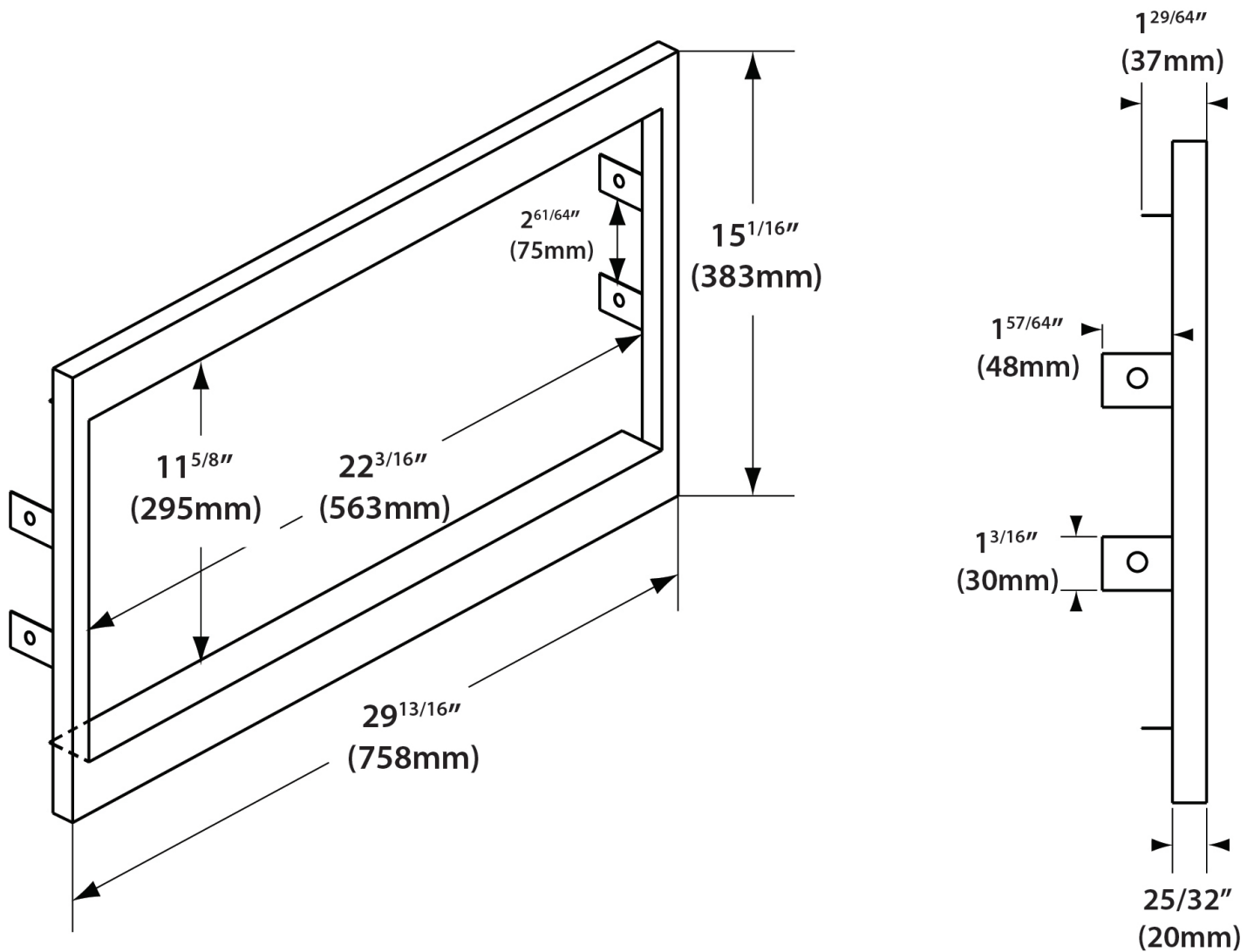
Width:  $29^{13/16}$ " x Height:  $15^{1/16}$ "

Width: 758mm x Height: 383mm

### CUT OUT DIMENSIONS (WxH - IN/MM)

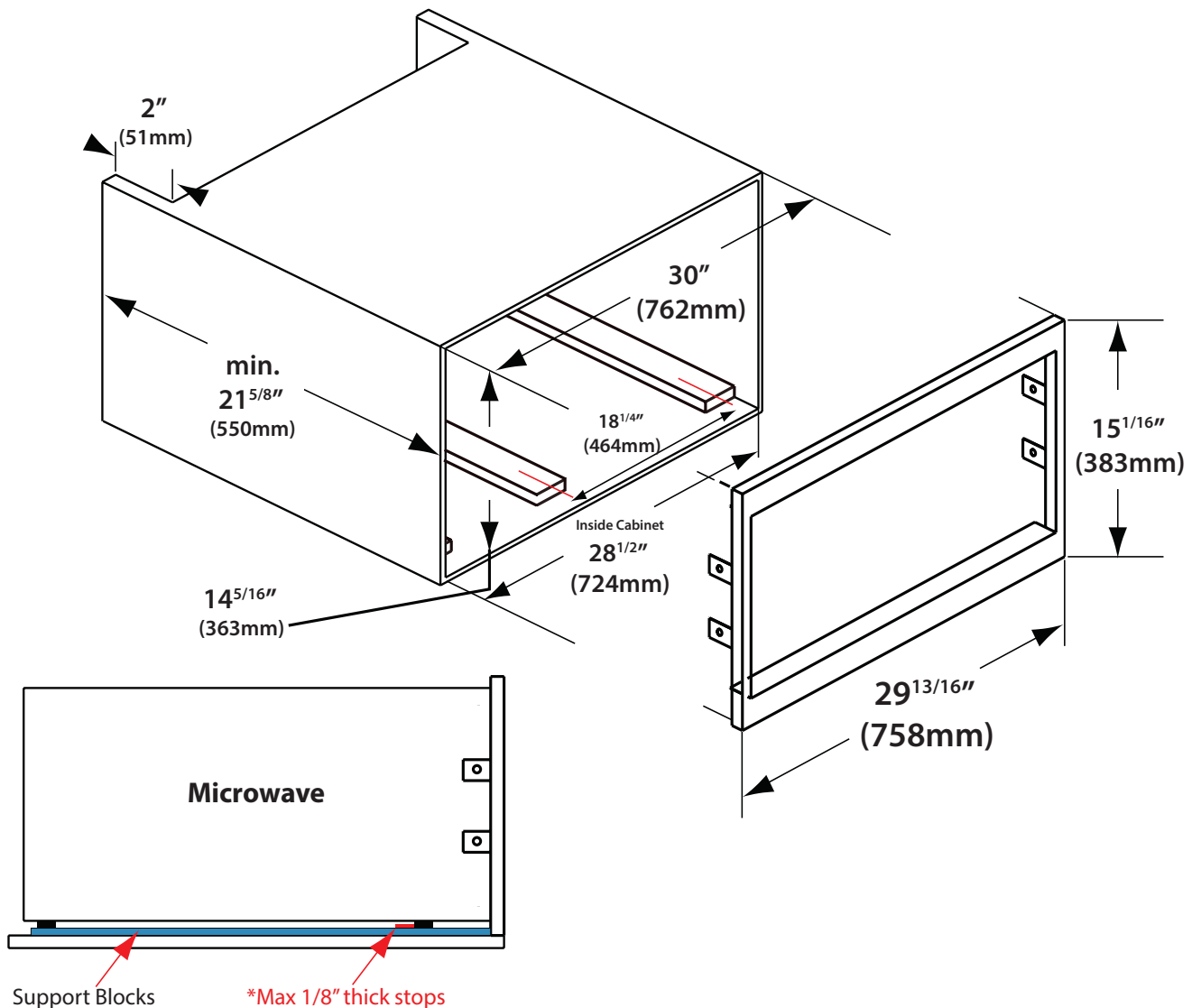
Width:  $28^{1/2}$ " x Height:  $14^{5/16}$ "

Width: 524mm x Height: 363mm



### VOID CUT-OUT

1. Unscrew the 4 screws holding the 2 pieces of wood in place, and retain the screws.
2. Screw the 2 pieces of wood onto the base of the cabinet. The wooden strips should touch the inside of the front of the MWTK-76, and be positioned with the centre of the wooden strips ( $18\frac{1}{4}'' = 46.4\text{cm}$ ) apart.
3. Being careful not to scratch the microwave door, lift the microwave onto the wooden strips, and move it back about 2 inches.
4. Place the MWTK-76 into position. Use the 4 screws and screw them through the flanges into the side gables.
5. Pull the microwave forward, and align the front of the microwave with the front of the MWTK-76.
6. To stop the microwave from sliding backwards whilst opening, it is recommended to attach a piece of wood behind the feet of the microwave, on the wooden supports.
7. Air must be able to flow from the microwave upwards and into the room, or roof space. Failure to comply will void the manufacturer's warranty on the microwave oven.



# AEG

## WARRANTY INFORMATION

AEG Appliances are designed and manufactured to the highest standards. Each appliance is covered by a comprehensive 2-year parts and labour warranty. Refer to product warranty policy for complete terms and conditions.

## FOR PARTS & SERVICE

### **Euro-Parts & Service**

39822 Belgrave Road, Belgrave, ON. N0G 1E0 1 866 722 2262

[www.euro-parts.ca](http://www.euro-parts.ca) • [parts@euro-parts.ca](mailto:parts@euro-parts.ca) • [service@euro-parts.ca](mailto:service@euro-parts.ca)

AEG appliances are imported and distributed in North America by Euro-Line Appliances Inc. For more information, please visit one of our showrooms or [www.ela.ca](http://www.ela.ca) / [www.elawest.ca](http://www.elawest.ca)

### **EURO-LINE APPLIANCES INC.**

871 Cranberry Court  
Oakville, ON L6L 6J7 Canada  
905.829.3980  
1-800.421.6332  
[info@ela.ca](mailto:info@ela.ca)

### **EURO-LINE APPLIANCES INC.**

101-1014 Homer Street  
Vancouver, BC V6B 2W9 Canada  
604.235.3980  
1-855.352.9378  
[infowest@ela.ca](mailto:infowest@ela.ca)